

MASAI  
ARMCHAIRS



## DESCRIPTION

Structure in solid beech wood dyed matt Dark Wengé, turned and worked with a numeric control system.

Decorative rings fixed on armrests, composed of two interlocking pieces in cast brass, Polished or with Brushed Dark Bronze finishing.

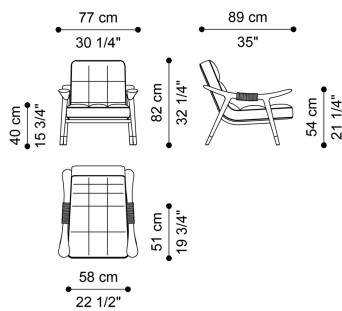
Feet in brass, Polished or with Brushed Dark Bronze finishing.

Seat and backrest in curved multilayer wood and variable thickness high density expansive polyurethane foam. Upholstery and piping in fabric or leather from the collection.

## DIMENSIONS

### ARMCHAIR

#### E.MAA.221.A



L 77 D 89 H 82 CM

---

**FEET**

**METAL**



Metal Brushed Dark  
Bronze



Polished Brass

---

**STRUCTURE**

**WOOD**



Solid Wood Dark  
Wengé Dyed - Matt

---

**UPHOLSTERY**


**FABRIC / LEATHER**

 [download the file in the product page](#)

---

**ACCESSORIES**

**DECORATIVE CUSHIONS**

 [download the file in the product page](#)