

OPUS
CHAIRS



DESCRIPTION

Structure in solid beech wood dyed Tineo, Dark Wengé or Dark Canaletto Walnut. Solid colour glossy lacquered finishing from the collection available as optional.

Seat in multilayer wood with padding in multi-density polyurethane foam, button tufting and raised piping.

Bolster cushions on the armrests with padding in multi-density polyurethane foam.

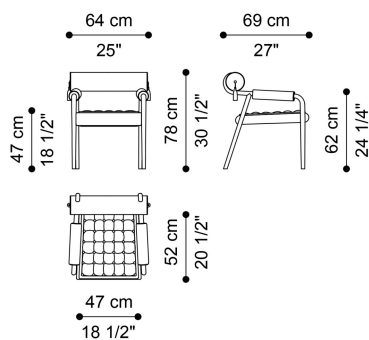
Backrest bolster cushion with padding in multi-density polyurethane foam, twisted cord trimming along the edges and matching decorative tassel. Optional ETRO logo embroidered on the back.

Upholstery in fabric or leather from the collection.

DIMENSIONS

CHAIR WITH ARMRESTS

T.OPUCH02A



L 64 D 69 H 78 CM

OPTIONAL

EMBROIDERED LOGO PEGASUS + ETRO

Optional quilted Etro logo available only on leather or plain fabric from the collection (1 side)

T.OPTLG02AXX



SURCHARGE

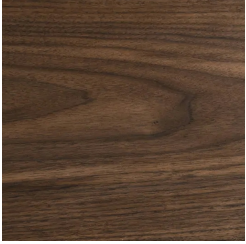
Solid colour lacquered finishing for T.OPUCH02A

T.OPUGLF02AX

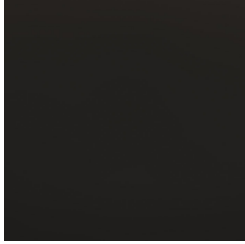
STRUCTURE

WOOD

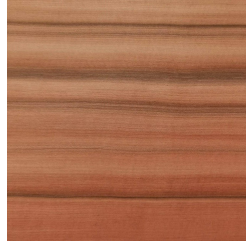
Solid Wood



Solid Wood Dyed
Dark Canaletto
Walnut - Matt




Solid Wood Dyed
Dark Wengé - Matt



Solid Wood Dyed
Tineo - Matt

UPHOLSTERY

FABRIC / LEATHER

 [download the file in the product page](#)