

MEKONG
SOFAS



DESCRIPTION

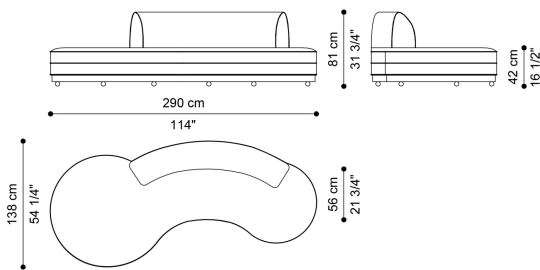
Structure in multilayer wood and variable thickness high density expansive polyurethane foam. Upholstery and piping in fabric or leather from the collection.

Base in solid beech wood dyed Dark Wengé, or in multilayer wood veneered in Dark Dyed Canaletto Walnut or Dark Wengé Dyed Carbalho. Spherical feet in solid beech wood lacquered Dusk Bronze.

DIMENSIONS

3-SEATER SOFA - LEFT UNIT

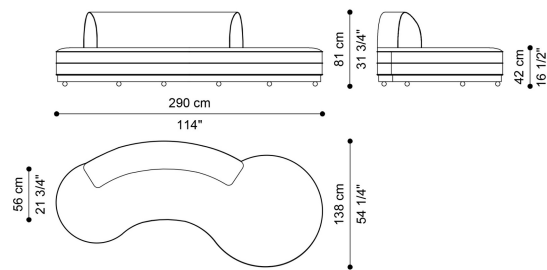
T.MEKSA03A



L 290 D 138 H 81 CM

3-SEATER SOFA - RIGHT UNIT

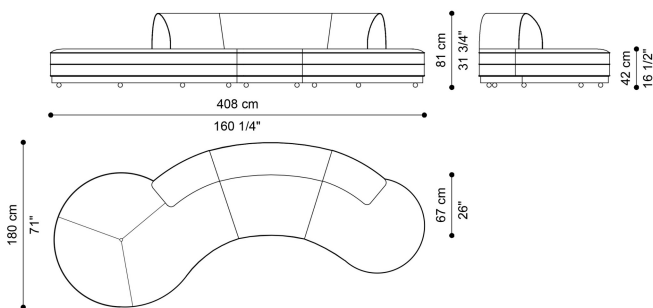
T.MEKSA03B



L 290 D 138 H 81 CM

4-SEATER SOFA - LEFT UNIT

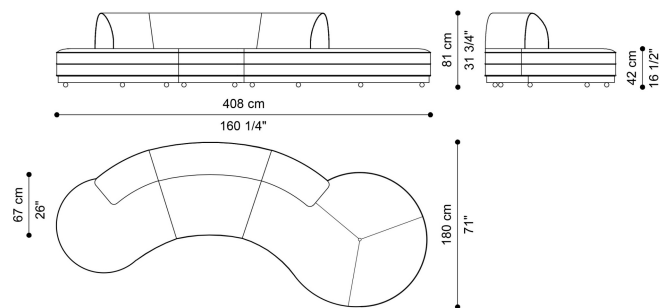
T.MEKSA04A



L 408 D 180 H 81 CM

4-SEATER SOFA - RIGHT UNIT

T.MEKSA04B

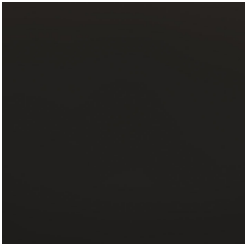


L 408 D 180 H 81 CM

BASE

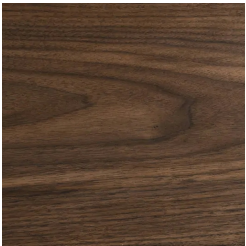
WOOD

Solid Wood

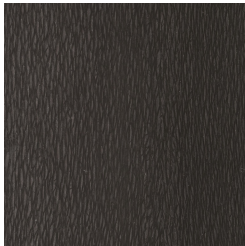


Solid Wood Dyed
Dark Wengé - Matt

Veneered Wood



Dark Dyed Canaletto
Walnut Veneered
Wood - Matt

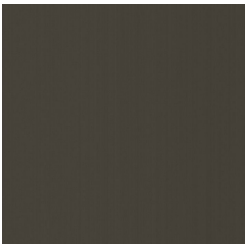


Dark Wengé Dyed
Carbalho Veneered
Wood - Matt

FEET

WOOD


Lacquered Wood - Semi-Glossy



Dusk Bronze
Lacquered Wood -
Semi-Glossy


UPHOLSTERY

FABRIC / LEATHER

 [download the file in the product page](#)

ACCESSORIES

DECORATIVE CUSHIONS

 [download the file in the product page](#)