

PICABIA
CHAIRS



PICABIA CHAIRS

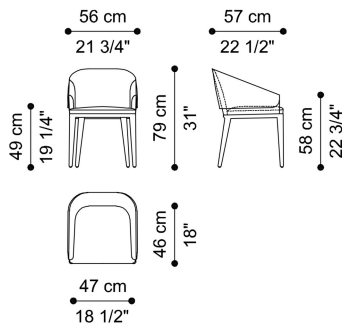
DESCRIPTION

Structure in curved multilayer wood and variable thickness high density expansive polyurethane foam.
Upholstery in fabric or leather from the collection, with cuff effect on the back of the backrest.
Brass plate with Etro logo on the back of the backrest.
Legs in solid beech wood dyed Dark Canaletto Walnut or with Venus Gold or Dusk Bronze lacquered finishing.

DIMENSIONS

CHAIR WITH ARMRESTS

T.PICCH02A



L 56 D 57 H 79 CM

LEGS

WOOD

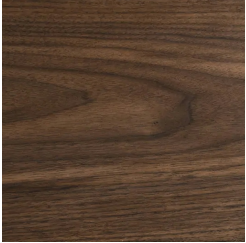
Lacquered Wood - Semi-Glossy



Dusk Bronze
Lacquered Wood -
Semi-Glossy

Venus Gold
Lacquered Wood -
Semi-Glossy


Solid Wood



Solid Wood Dyed
Dark Canaletto
Walnut

UPHOLSTERY

FABRIC / LEATHER

 download the file in the product page